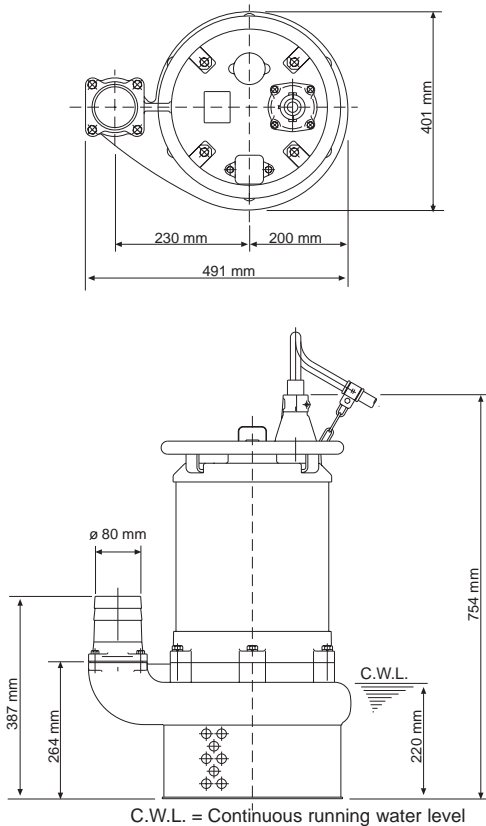
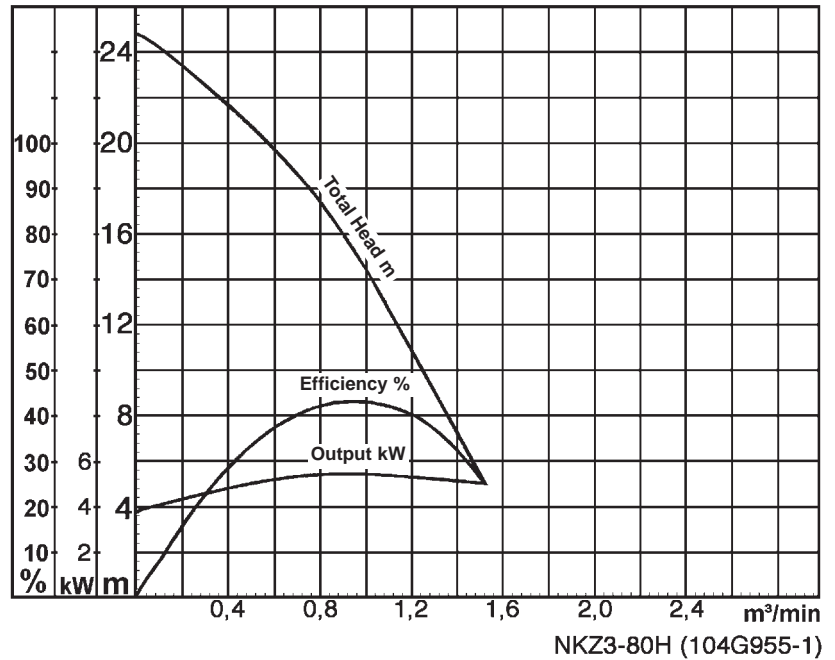


Data Sheet NKZ3-80H



NKZ3-80H



NKZ3-80H (104G955-1)

Classification

Electric submersible pump
 Protection class IP68
 Depth of submersion max. 30m
 Open type impeller with Agitator
 Max. solid handling 20mm
 Suitable for sludge, slurry, liquids containing sandy mud and bentonite

Electric Motor

Dry-type submersible induction motor,
 Insulation class E, 4 poles, 1435 r.p.m.
 Direct on line start
 Voltage: 400V, 50Hz, 3-phase
 Power input: 6,91kW
 Power output: 5,50kW
 Nominal current: 12,1A
 Start current: 83,0A

Electric Cable

20m H07RN-F 4Cx2,5mm²

Motor Protection

Circle thermal protector
 (snap-action bi-metal device)

Shaft Seal

Double mechanical seal in oil bath
 additional lubrication by oil lifting device
 Primary Seal:
 silicon carbide on silicon carbide
 Secondary Seal:
 silicon carbide on silicon carbide

Bearings

Shielded ball bearings, maintenance-free

Materials

Impeller:	Chromium iron casting
Agitator:	FCD700 (EN-GJS-700-2)
Casing:	FC200 (EN-GJL-200)
Suction Plate:	FCD700 (EN-GJS-700-2)
Motor frame:	FC150 (EN-GJL-150)
Shaft:	SUS420J2 (EN X30Cr13)

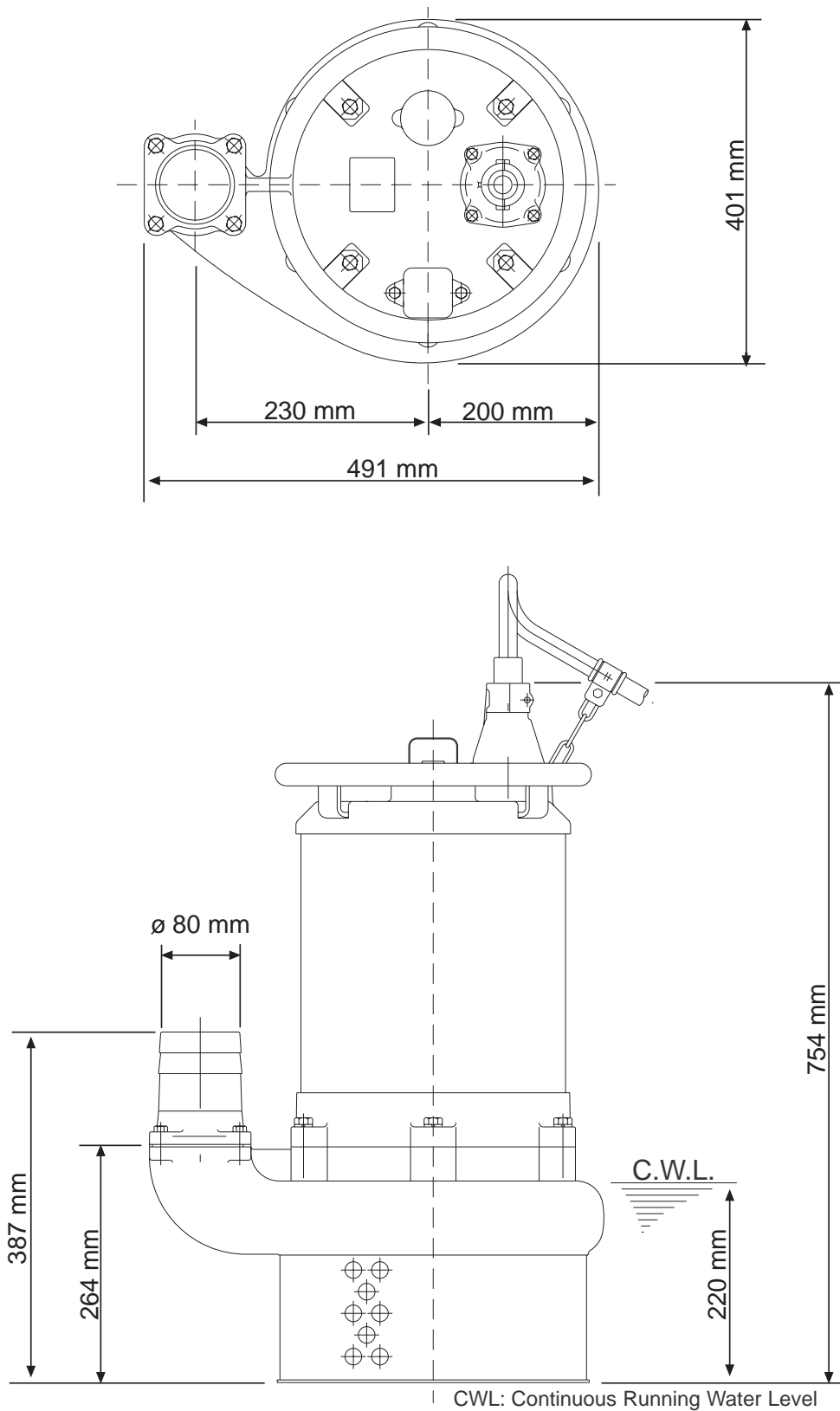
Discharge Connection

3" (80mm) hose coupling

Weight

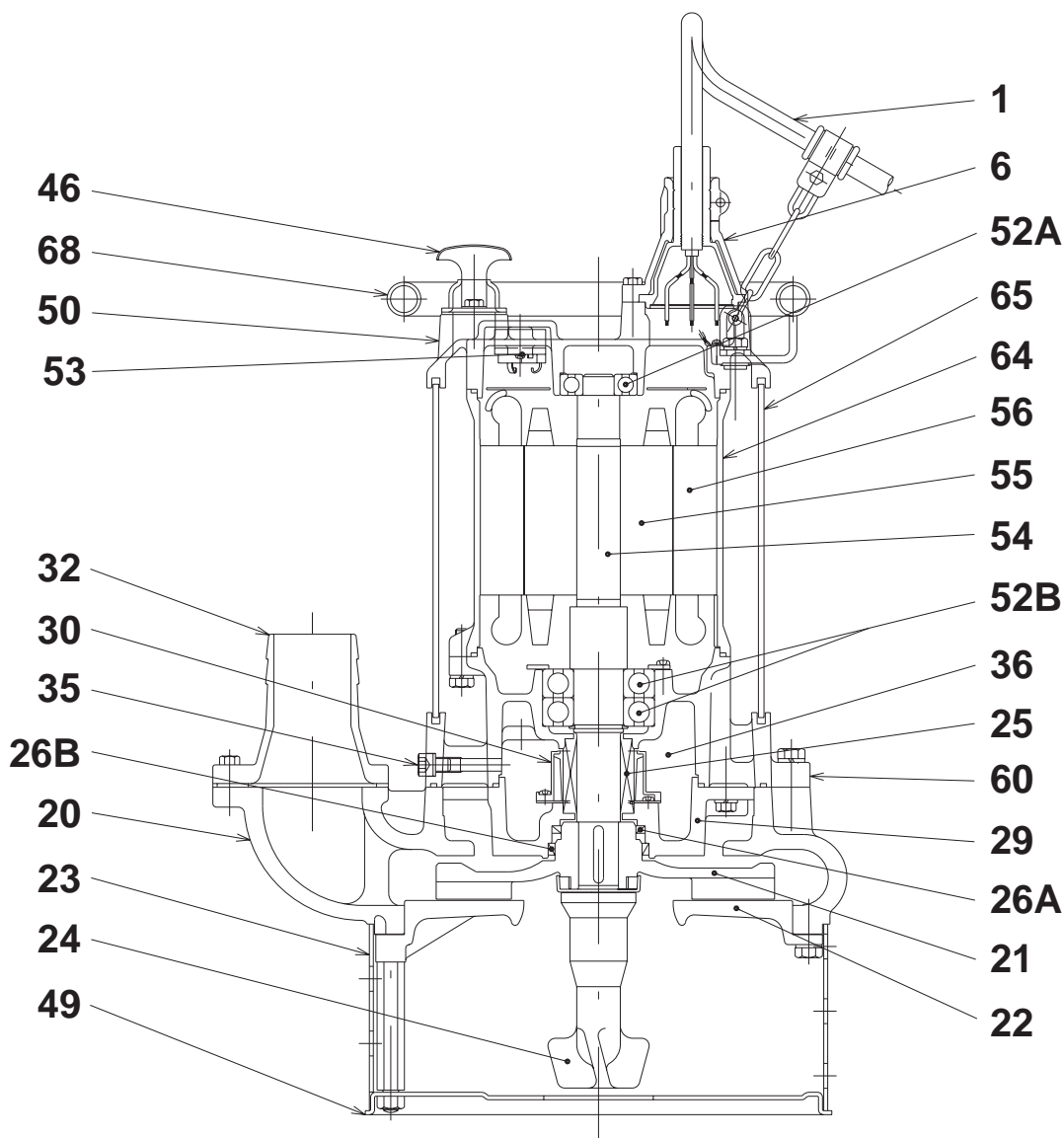
114 kg (dry weight of the pump without cable)

Dimensional Drawing NKZ3-80H



NKZ3-80H

Sectional Drawing NKZ3-80H



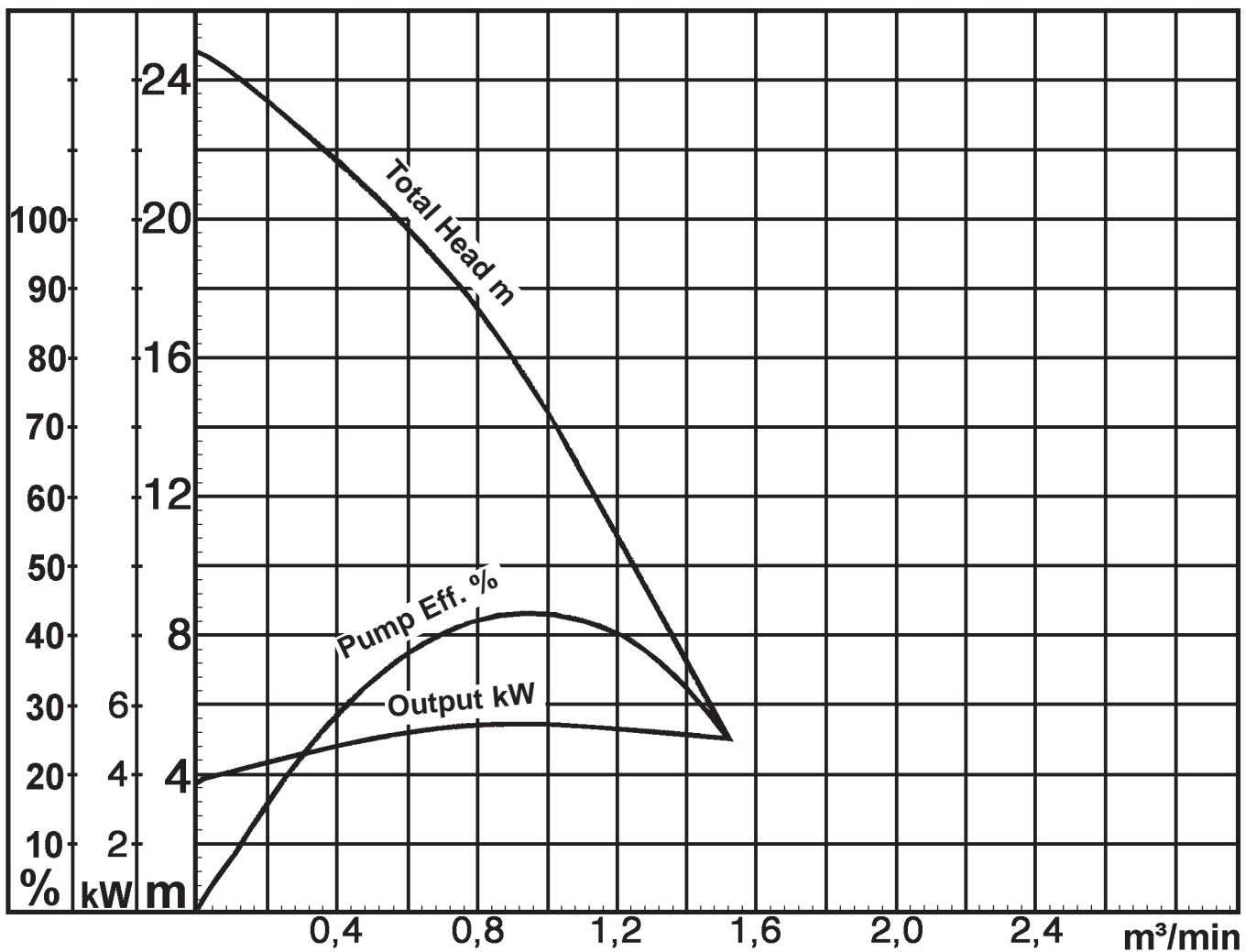
NKZ3-80H

No.	Description	Qty.	Remarks	No.	Description	Qty.	Remarks
1	Cabtyre Cable	1	20m H07RN-F 4Cx2,5mm ²	50	Motor bracket	1	FC150 (EN-GJL-150)
6	Stuffing Box	1	FC200 (EN-GJL-200)	52A	Upper Bearing	1	
20	Pump Casing	1	FC200 (EN-GJL-200)	52B	Lower Bearing	2	
21	Impeller	1	Chromium Iron Casting	53	Motor Protector	1	
22	Suction Cover	1	FCD700 (EN-GJS-700-2)	54	Shaft	1	SUS420J2 (EN X30Cr13)
23	Strainer Stand	1	Steel Plate SPC	55	Rotor	1	
24	Stirrer	1	FCD700 (EN-GJS-700-2)	56	Stator Complete	1	
25	Mechanical Seal	1	H-35	60	Bearing Housing	1	FC150 (EN-GJL-150)
26A	Upper Oil Seal	1	VC-60756	64	Motor Frame	1	FC150 (EN-GJL-150)
26B	Lower Oil Seal	1	DD-71819.5	65	Outer Cover	1	SS400 (DIN 1.0040)
29	Oil Casing	1	FC200 (EN-GJL-200)	68	Handle	1	Galvanized Steel Pipe SGP
32	Hose Coupling	1	FC200 (EN-GJL-200)				
35	Oil Plug	1	SUS304 (EN-X5CrNi18-10)				
36	Lubricant		Turbine Oil (ISO VG32)				

Pump Performance Curve

NKZ3-80H

Discharge Bore	80 mm
Total Head	20 m
Capacity	0,55 m ³ /min
Motor Output	5,50 kW
Motor Input	6,91 kW
Phase	3
Voltage	400 V
Frequency	50 Hz
Rated Current	12,1 A
Starting Current	83,0 A
Poles	4
Revolution	S.S. 1435 r.p.m.
Starting Method	direct on line
Insulation Class	E



NKZ3-80H (104G955-1)